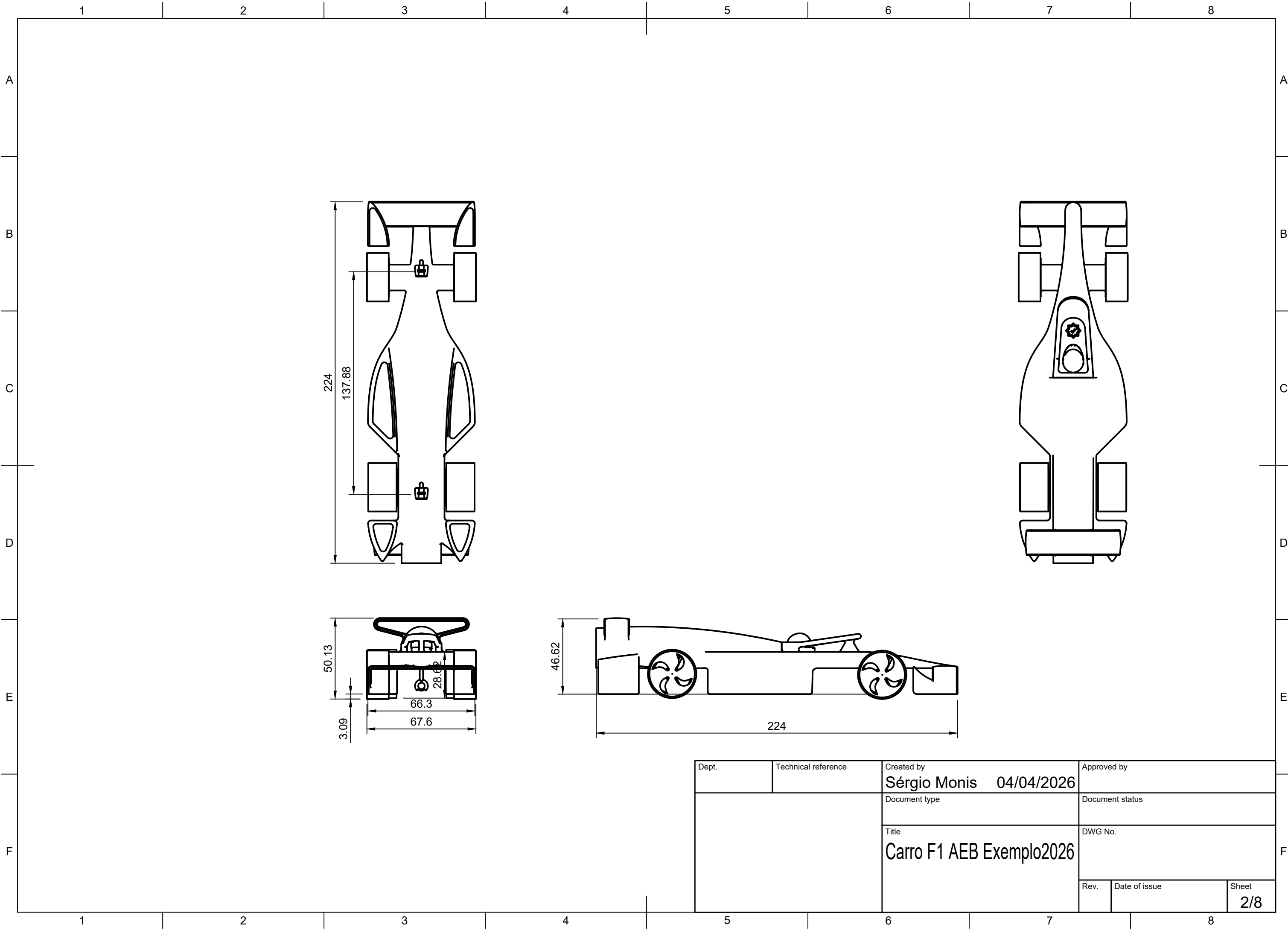
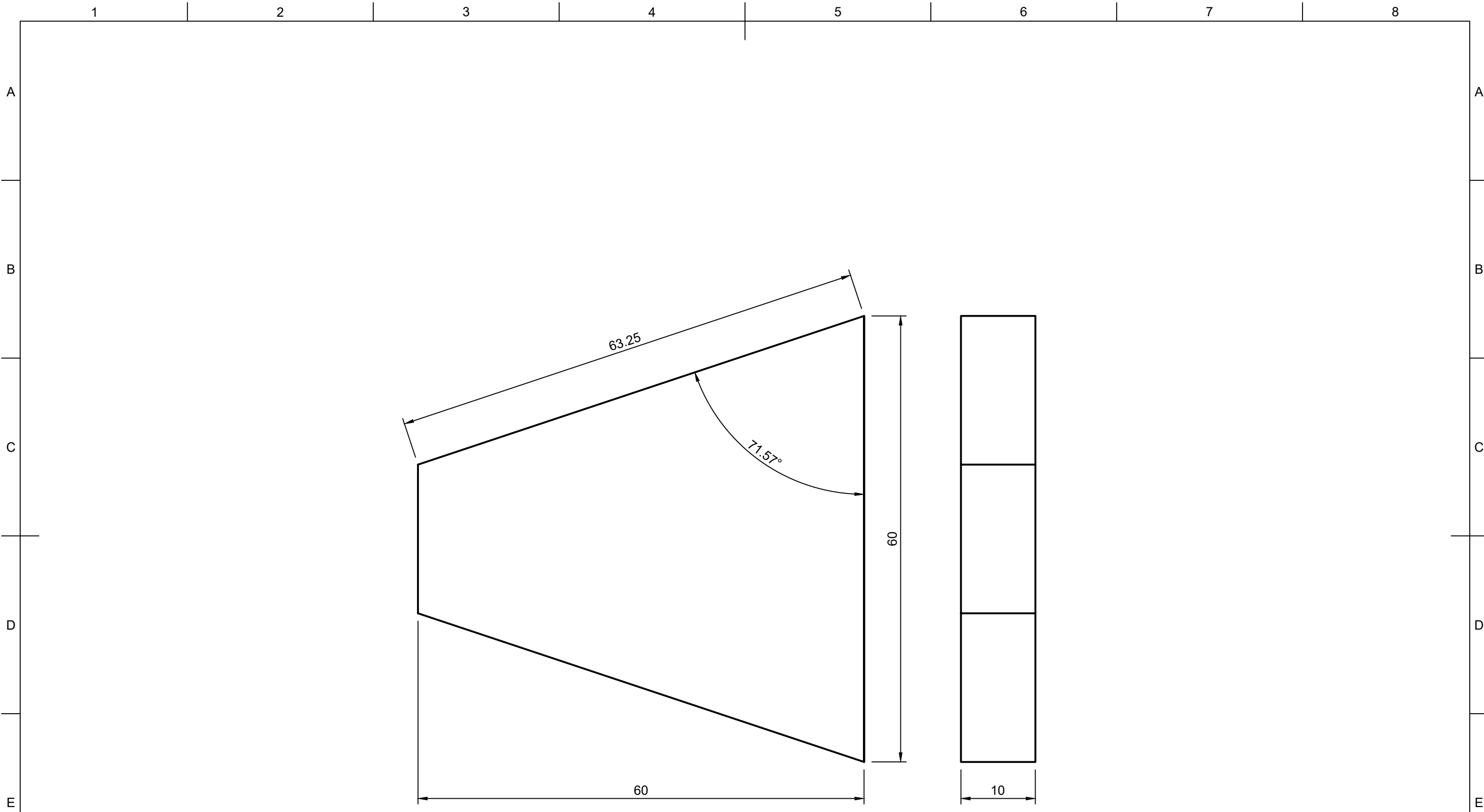


Lista de peças			
Item	Qty	Número da peça	Material
1	1	HALO	Generic
2	1	Corpo principal	----
3	1	Lastro	Genérico
4	1	Corpo e frente	Polierutano
5	1	Guias	Aço
6	1	Componente15	Genérico
7	1	ContentorCartucho	Genérico
8	1	Jante_atrás_encaixe	----
9	1	Jante_atrás_encaixe v2(Espelhar)	----
10	1	Jante_frente_encaixe	----
11	1	Roda(Espelhar) (1)	----

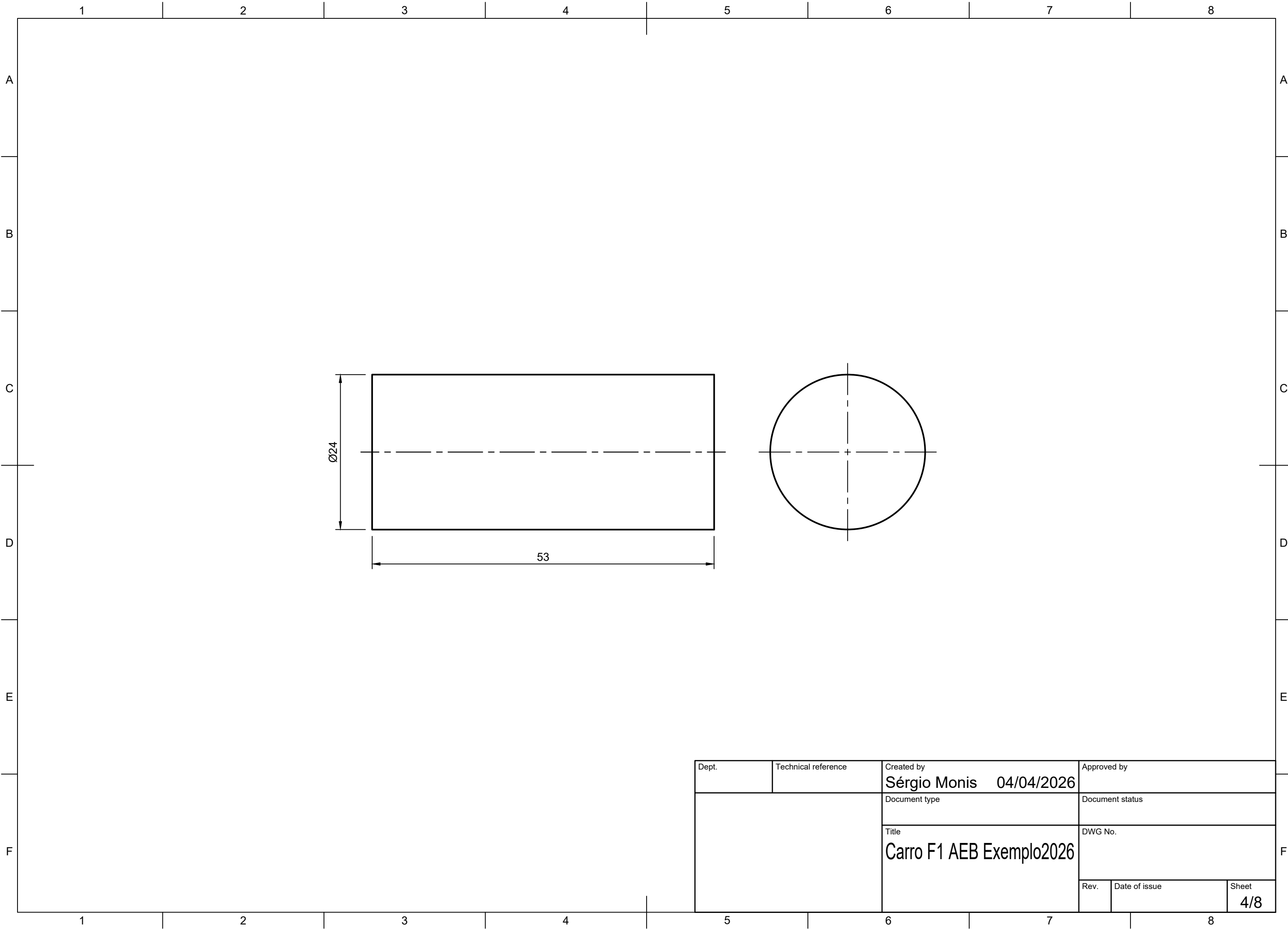
Dept.	Technical reference	Created by Sérgio Monis 04/04/2026	Approved by
		Document type	Document status
		Title Carro F1 AEB Exemplo2026	DWG No.
Rev.	Date of issue	Sheet	1/8



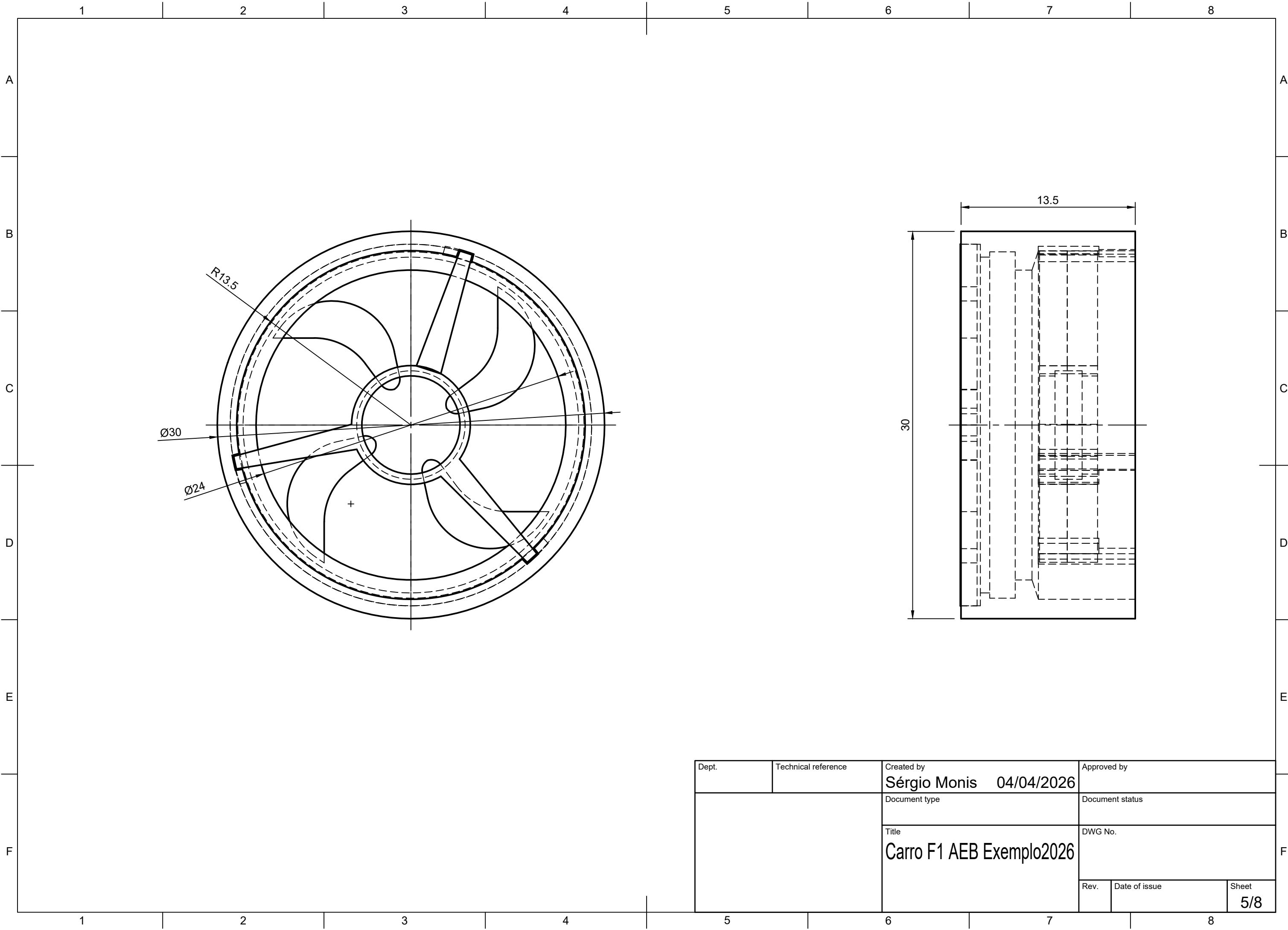
Dept.	Technical reference	Created by Sérgio Monis 04/04/2026	Approved by
		Document type	Document status
		Title Carro F1 AEB Exemplo2026	DWG No.
	Rev.	Date of issue	Sheet 2/8



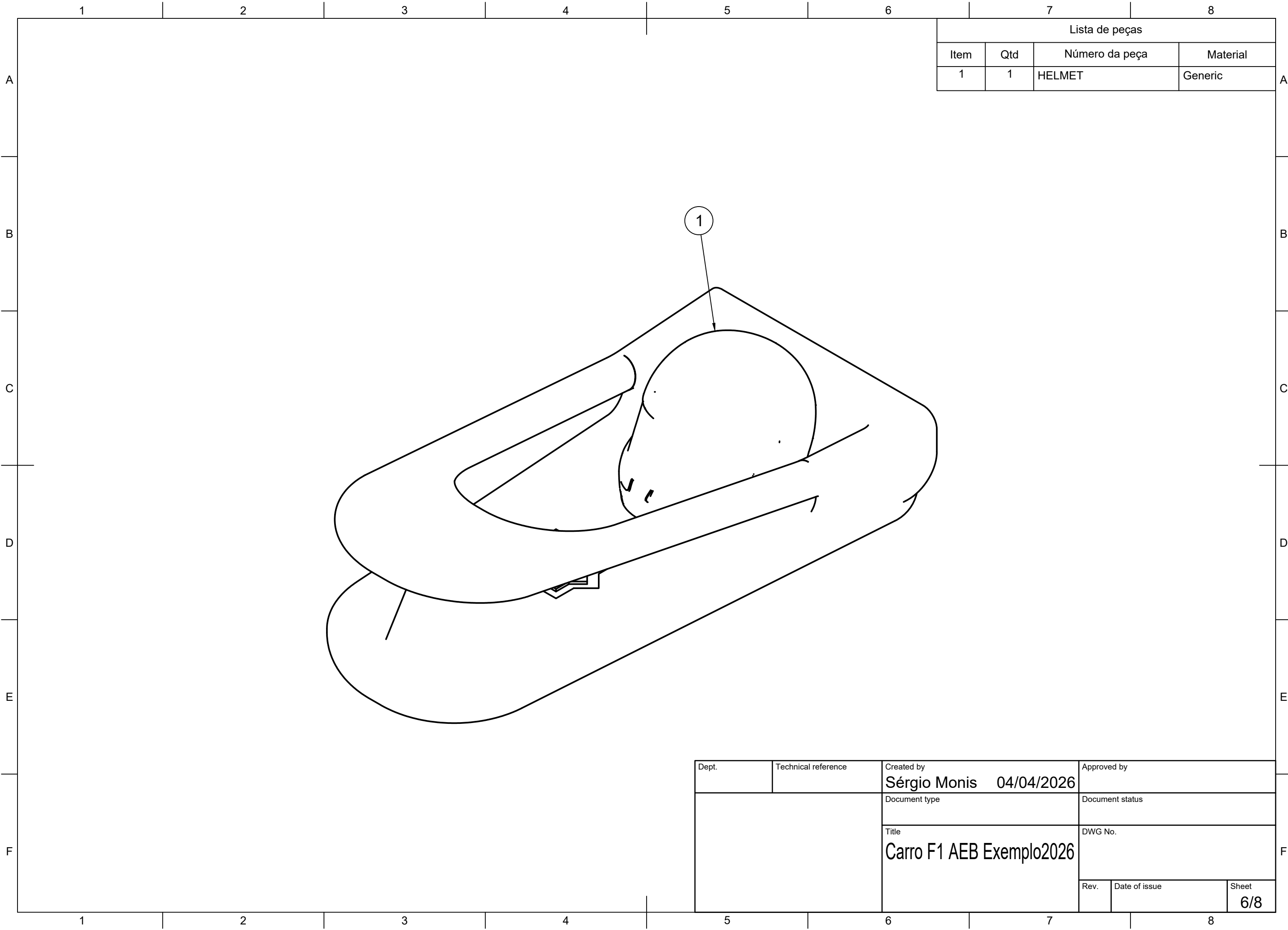
Dept.	Technical reference	Created by Sérgio Monis 04/04/2026	Approved by
		Document type	Document status
		Title Carro F1 AEB Exemplo2026	DWG No.
	Rev.	Date of issue	Sheet 3/8



Dept.	Technical reference	Created by Sérgio Monis 04/04/2026	Approved by
		Document type	Document status
		Title Carro F1 AEB Exemplo2026	DWG No.
	Rev.	Date of issue	Sheet 4/8

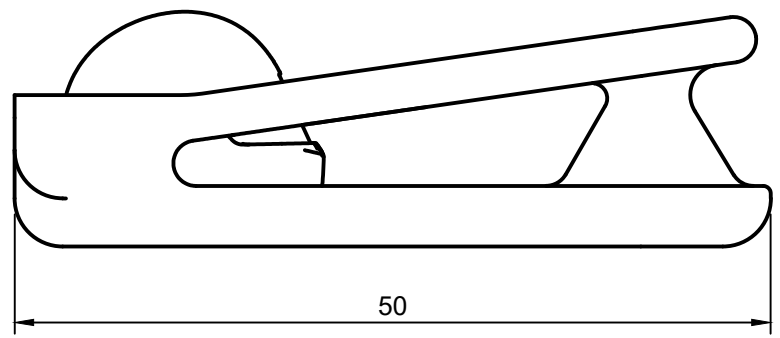
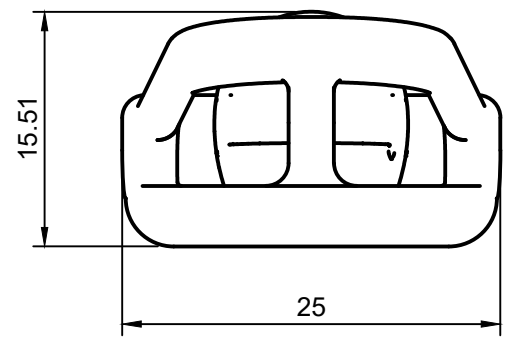
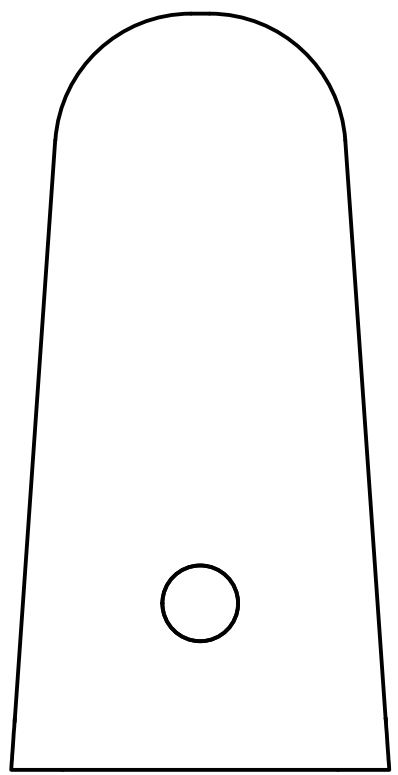


Dept.	Technical reference	Created by Sérgio Monis 04/04/2026	Approved by	
		Document type	Document status	
		Title Carro F1 AEB Exemplo2026	DWG No.	
		Rev.	Date of issue	Sheet 5/8

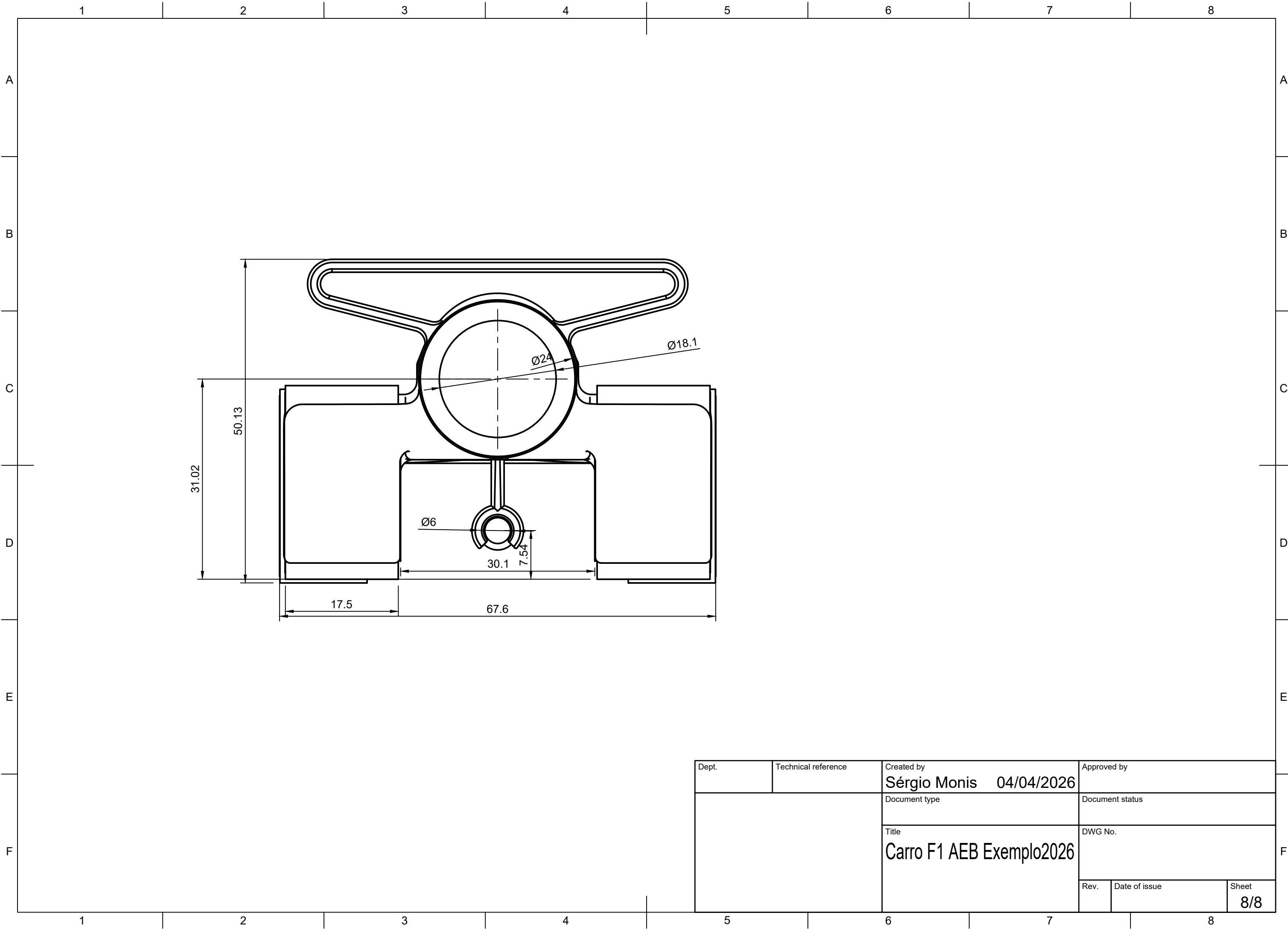


Lista de peças			
Item	Qty	Número da peça	Material
1	1	HELMET	Generic

Dept.	Technical reference	Created by Sérgio Monis 04/04/2026	Approved by
		Document type	Document status
		Title Carro F1 AEB Exemplo2026	DWG No.
		Rev.	Date of issue
		Sheet 6/8	



Dept.	Technical reference	Created by Sérgio Monis 04/04/2026	Approved by	
		Document type	Document status	
		Title Carro F1 AEB Exemplo2026	DWG No.	
		Rev.	Date of issue	Sheet 7/8



Dept.	Technical reference	Created by Sérgio Monis 04/04/2026	Approved by
		Document type	Document status
		Title Carro F1 AEB Exemplo2026	DWG No.
		Rev.	Date of issue
		Sheet 8/8	